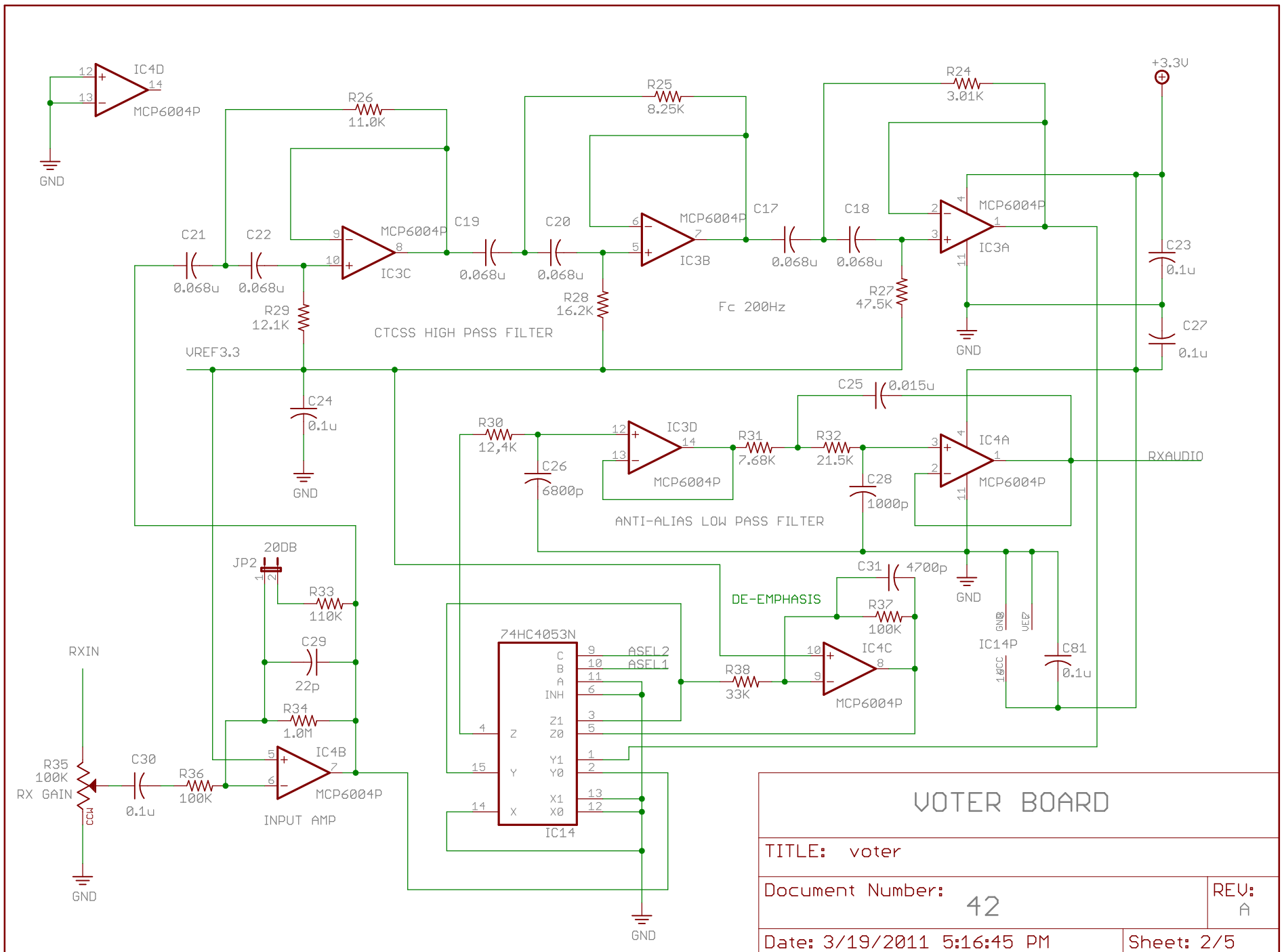
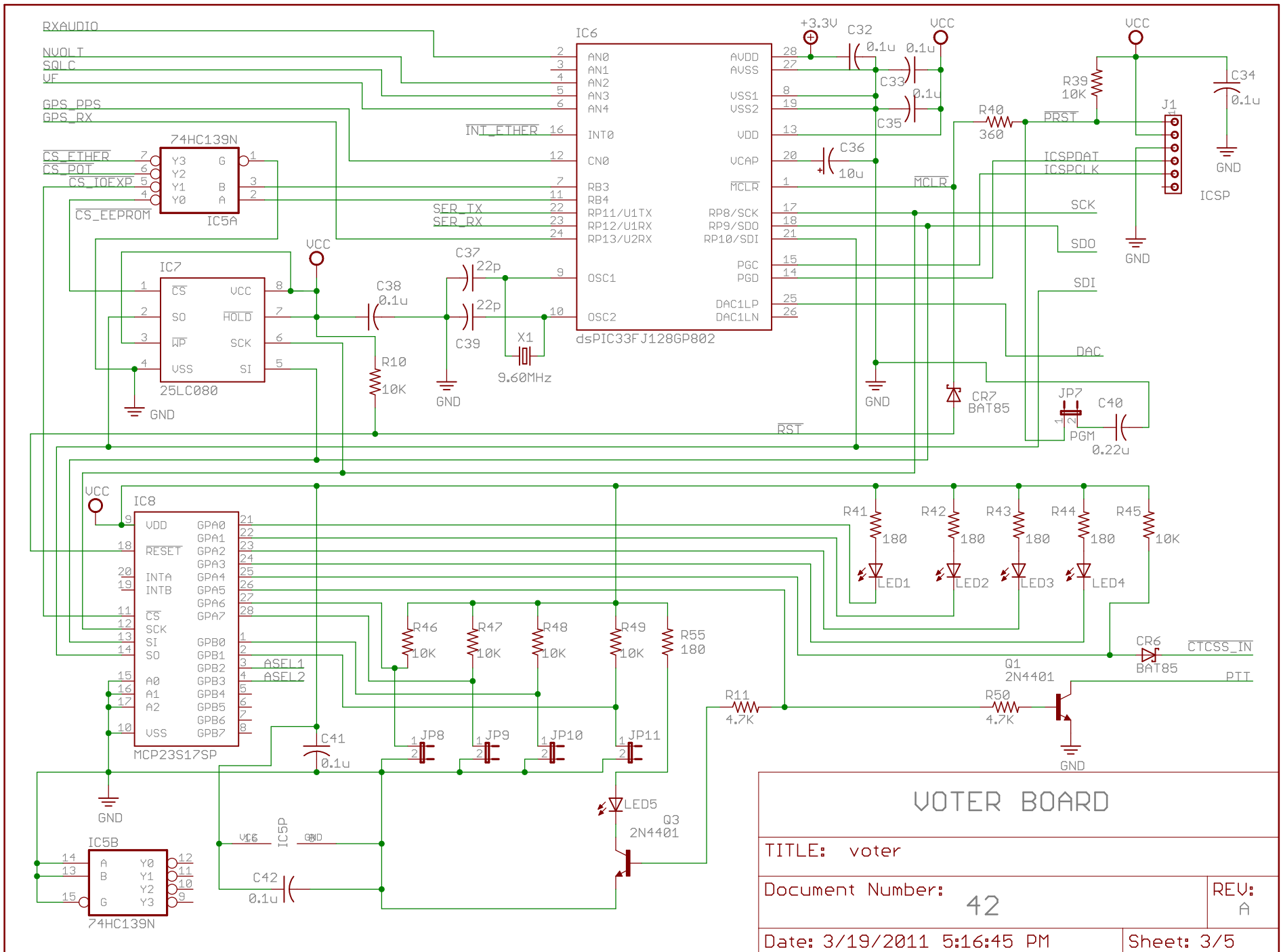
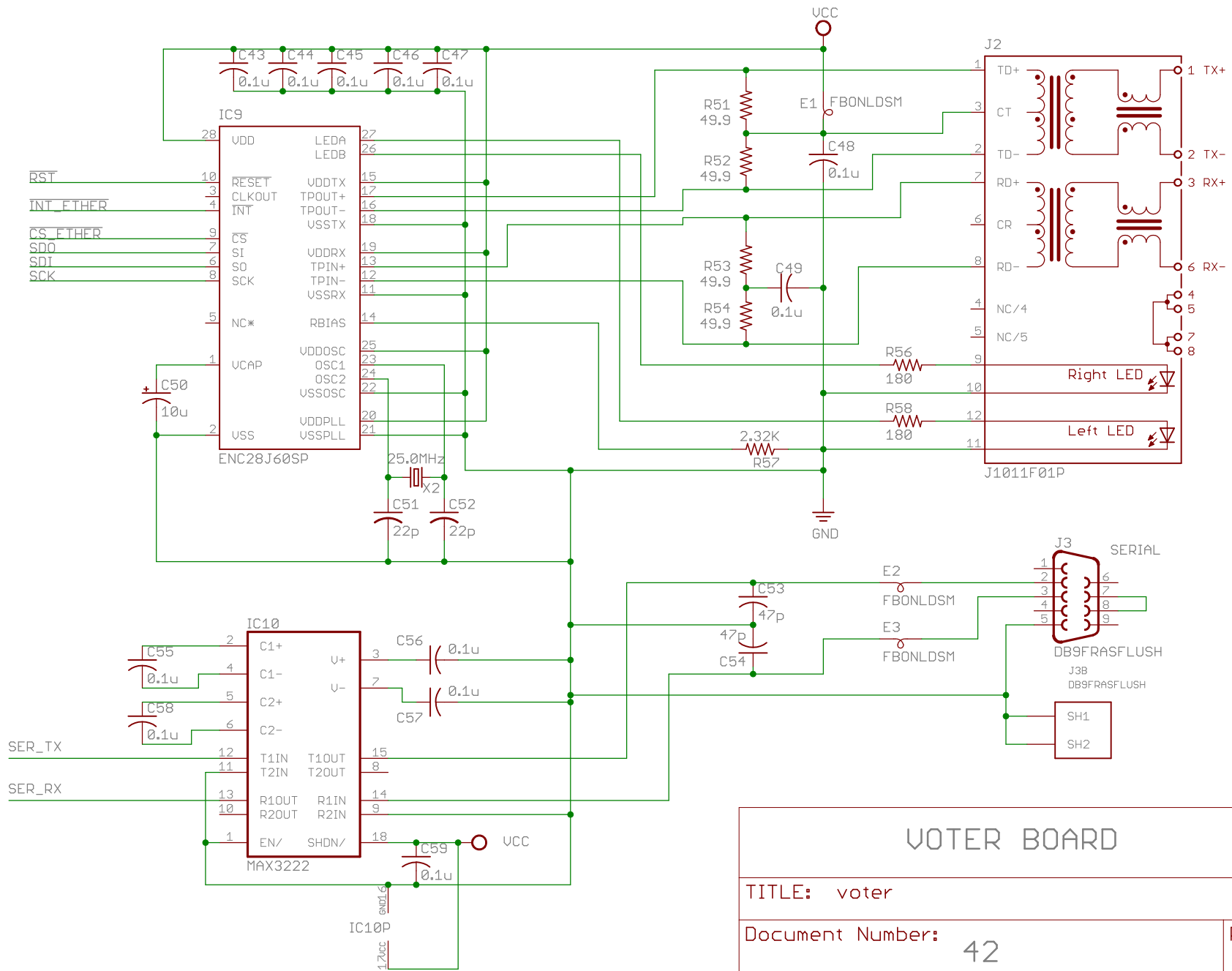


VOTER BOARD		
TITLE: voter		
Document Number:	42	REV: A
Date: 3/19/2011 5:16:45 PM	Sheet: 1/5	



<b>VOTER BOARD</b>	
TITLE: voter	
Document Number: 42	REV: A
Date: 3/19/2011 5:16:45 PM	Sheet: 2/5





# VOTER BOARD

TITLE: voter

Document Number:

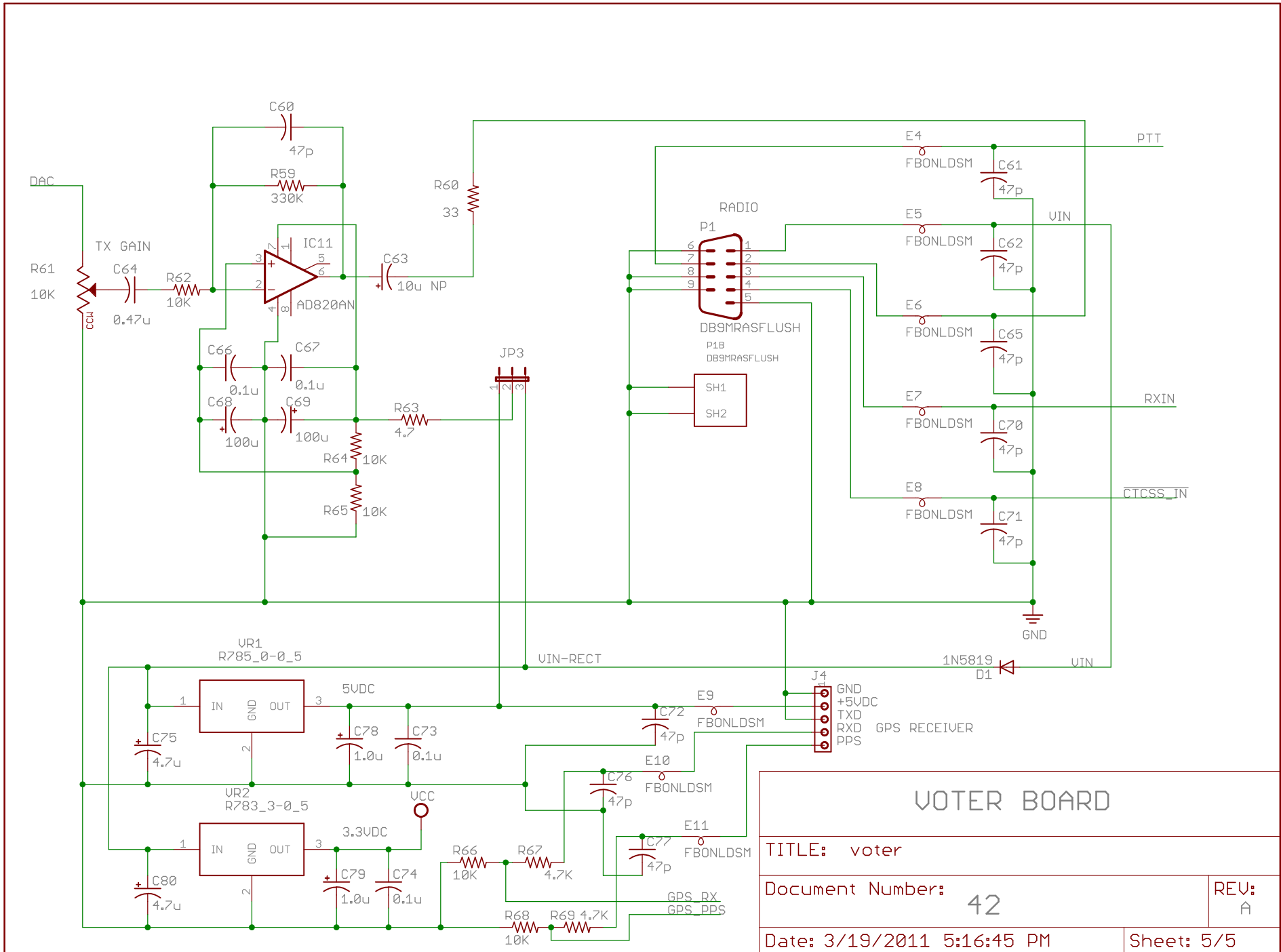
42

REV:

A

Date: 3/19/2011 5:16:45 PM

Sheet: 4/5



<b>VOTER BOARD</b>	
TITLE: voter	
Document Number: 42	REV: A
Date: 3/19/2011 5:16:45 PM	Sheet: 5/5